

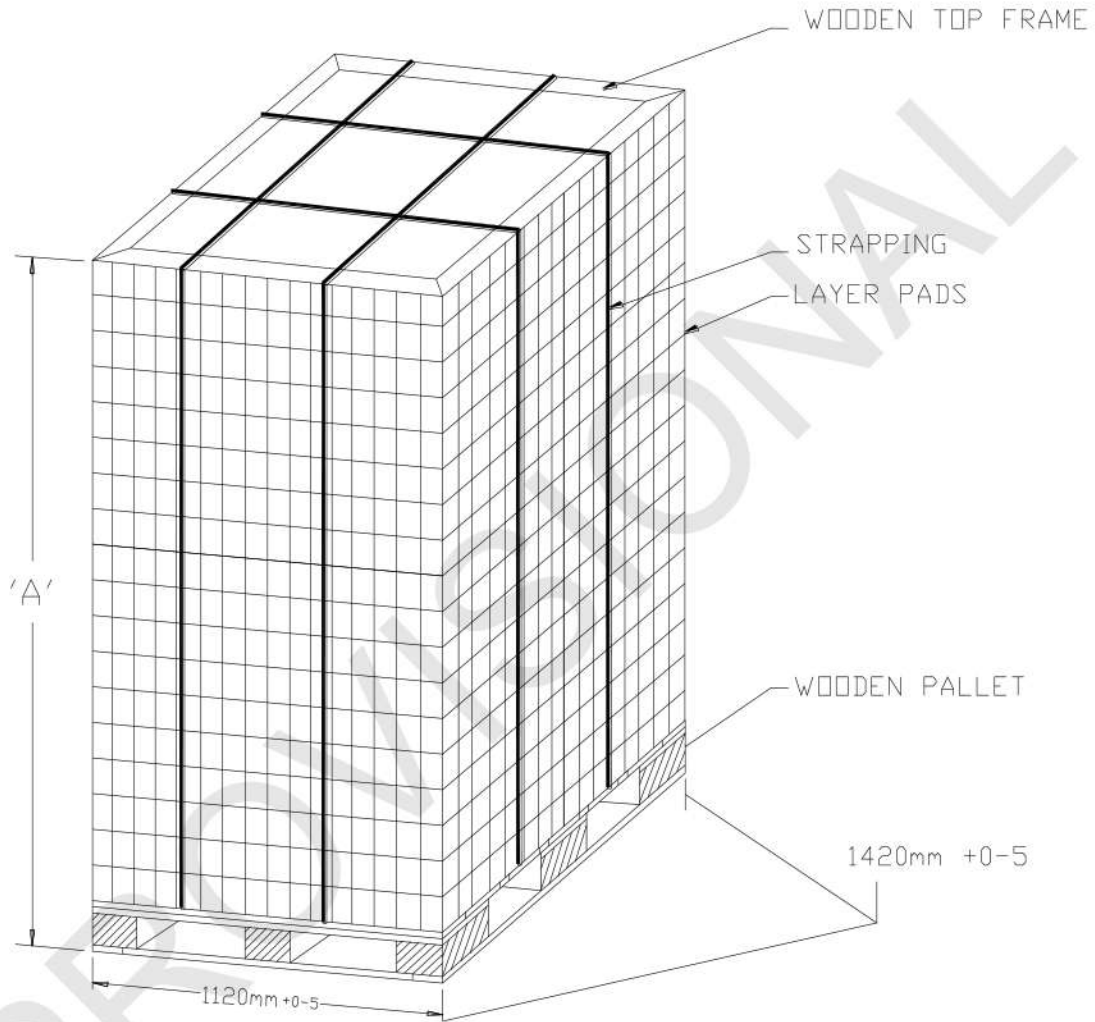


CUSTOMER MANUAL

REV. No.:	01
DOC. No.:	BEVCUST86
PAGE:	1 OF 2

SLIMLINE ALUMINIUM PALLET LOAD CONFIGURATION - EXPORT

Pallet configuration



Description	Cans/layer	Layers	Cans/pallet	Pack mass (Kg)	Pack Height -"A"-
200ml	586	21	12306	170	2498mm
250ml	586	17	9962	155	2430mm
275ml	586	16	9376	160	2479mm

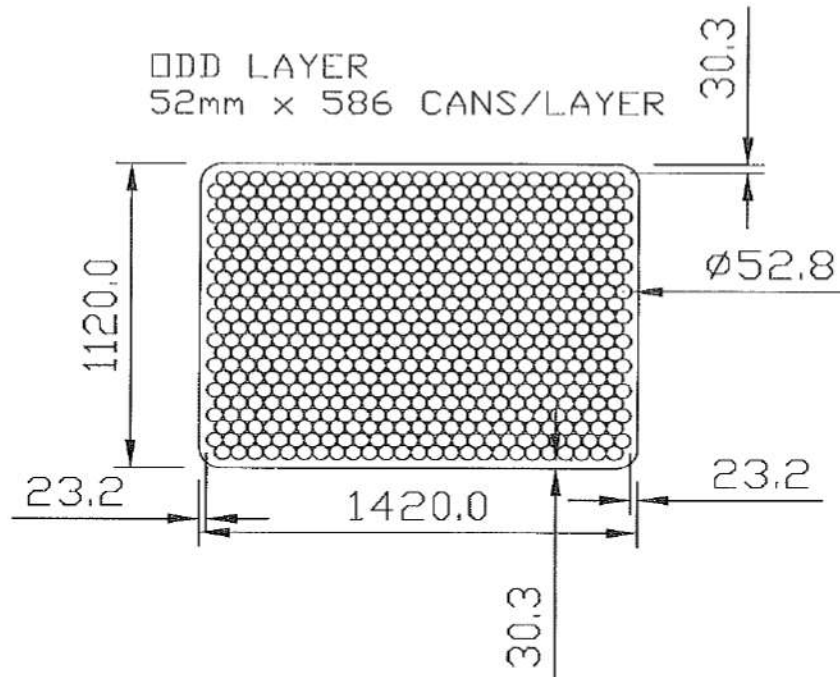


CUSTOMER MANUAL

REV. No.:	01
DOC. No.:	BEVCUST86
PAGE:	2 OF 2

SLIMLINE ALUMINIUM PALLET LOAD CONFIGURATION - EXPORT

Can pack pattern on a layer pad



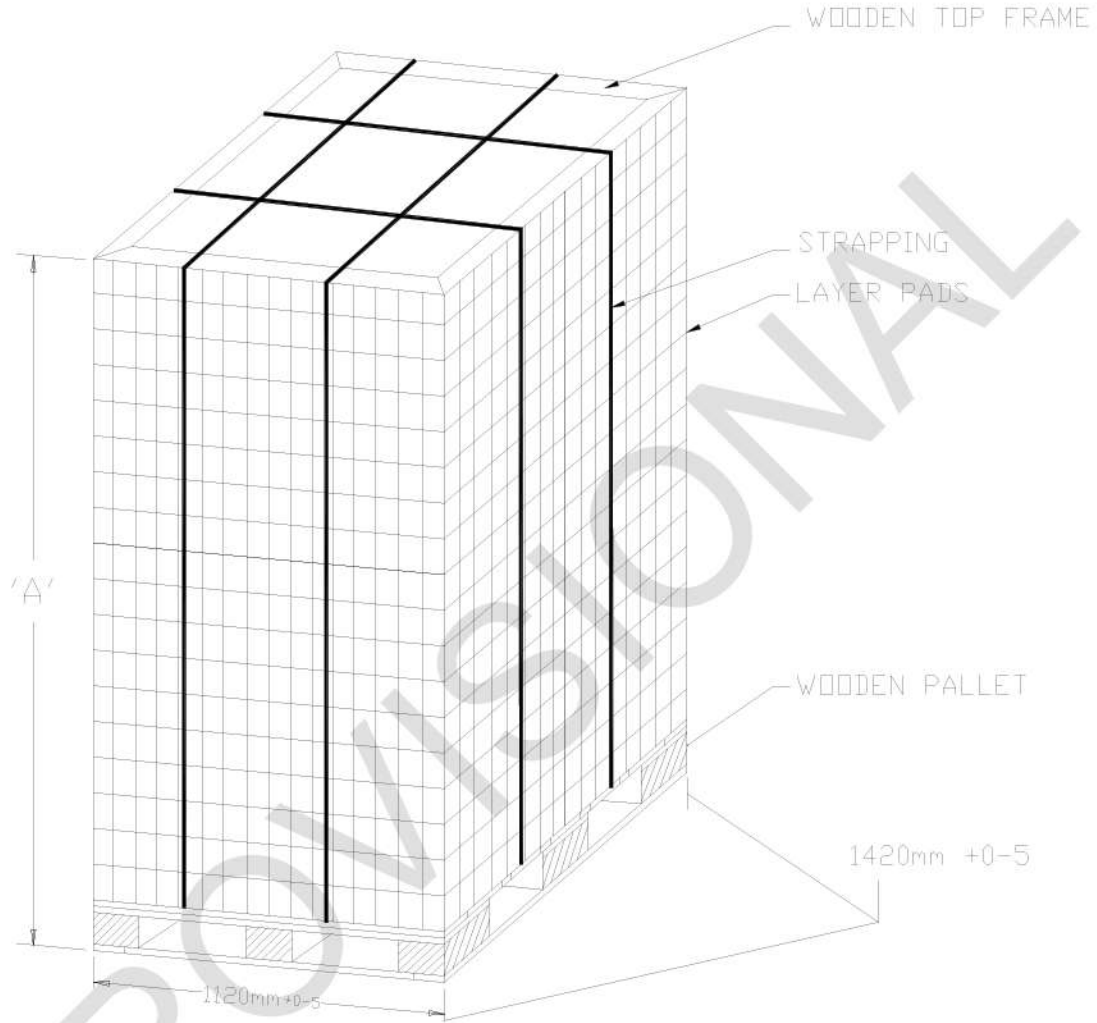
PROV



CUSTOMER MANUAL

REV. No.:	00
DOC. No.:	BEVCUST85
PAGE:	1 OF 1

SLENDER ALUMINIUM PALLET LOAD CONFIGURATION - EXPORT



Description	Cans/layer	Layers	Cans/pallet	Pack mass (Kg)	Pack Height -"A"-
300ml	493	18	8874	127.25	2540mm
330ml	493	16	7888	117.04	2468mm

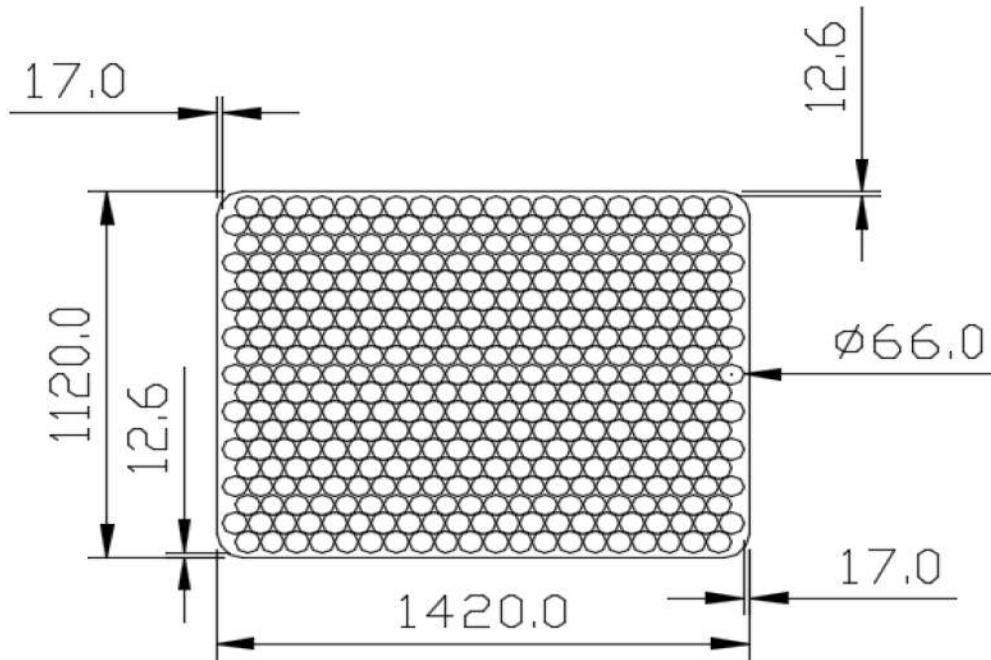


CUSTOMER MANUAL

REV. No.:	02
DOC. No.:	BEVCUST42
PAGE:	2 OF 2

STANDARD PALLET LOAD CONFIGURATION – EXPORT

Can pack pattern on a layer pad



Description	Cans per layer	Layers	Cans per pallet	Pallet mass Kg	Pallet height "A" mm
330ml Beer/CSD	389	20	7780	114.7	2500
440ml Beer/CSD	389	15	5835	105.24	2410
500ml Beer/CSD	389	14	5446	106.5	2530

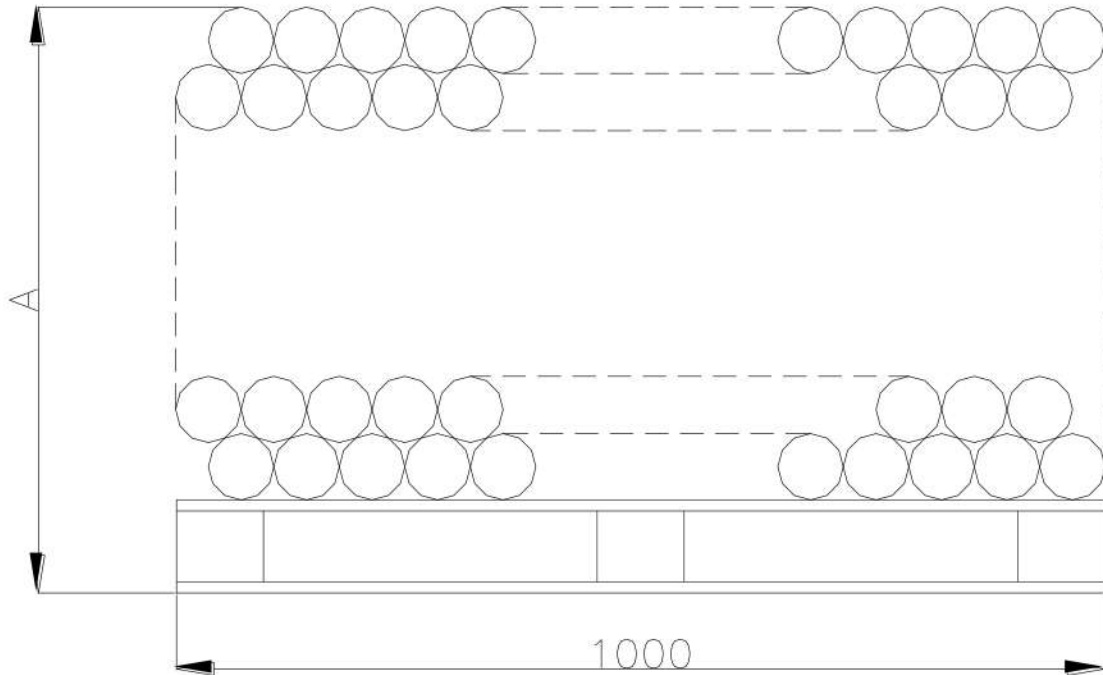
Note:
All pallets are Kiln dried and marked with Kiln stamp.



CUSTOMER MANUAL

REV. No.: 00
DOC. No.: BEVCUST
PAGE: 1 OF 2

200 ENDS PALLET LOAD CONFIGURATION



Pallet dimensions (mm)	1200 x 1000
Pallet board weight (kg)	11
Ends per sleeve	586
Sleeves per layer	8
Layers per pallet	17
Sleeves per pallet	136
Ends per pallet	79 696



CUSTOMER MANUAL

REV. No.: 00

DOC. No.: BEVCUST

PAGE: 2 OF 2

200 ENDS PALLET LOAD CONFIGURATION

Sleeves:

Standard: Brown sleeves with a red line

Promotional: Brown sleeve with a blue line

Barcode Labels:

White labels are used for pallet identification as following:

- 1 Label inside the pallet on the 3rd row on the long side
- 1 Label on each side of the long sides on the 15th row

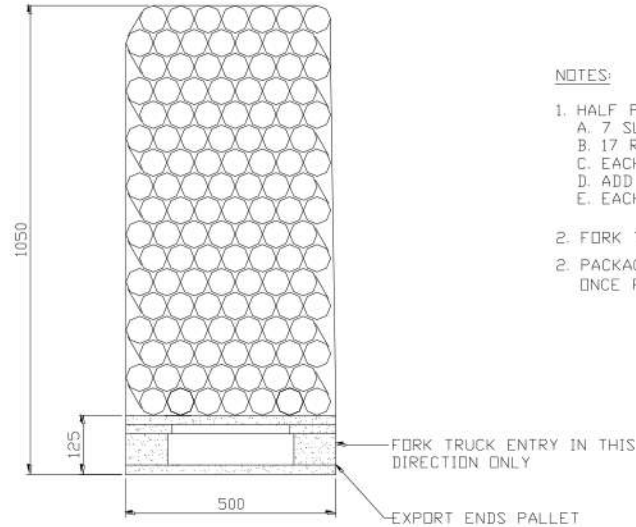
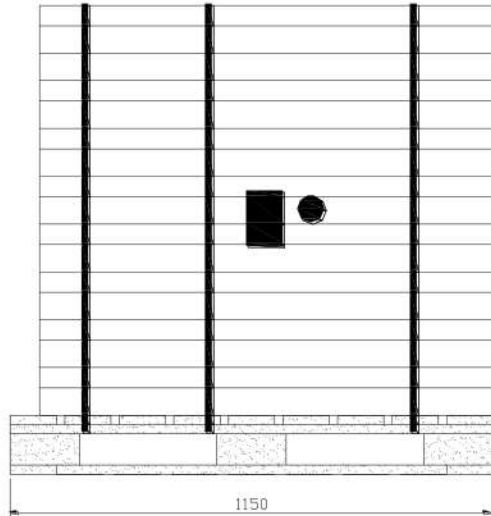
NOTE: All pallets are spiral wrapped and Kiln dried



Customer Manual

REV:	03
DOC No	BEVCUST32
PAGE:	1 OF 1

Export Ends Pallet Configuration



NOTES:

1. HALF PALLETS CONTAIN:
 - A. 7 SLEEVES PER ROW
 - B. 17 ROWS HIGH
 - C. EACH SLEEVE CONSISTS OF 523 ENDS
 - D. ADD 3 ENDS ONLY ON THE LAST SLEEVE
 - E. EACH PALLET CONTAINS 62240 ENDS
2. FORK TRUCK ENTRY IN LONG SIDE ONLY
2. PACKAGING AND STRAPPING ONLY TO BE REMOVED ONCE PACK IS AT SEAMER

Pallet Board Weight – 11Kg
Total Pallet Weight -180Kg